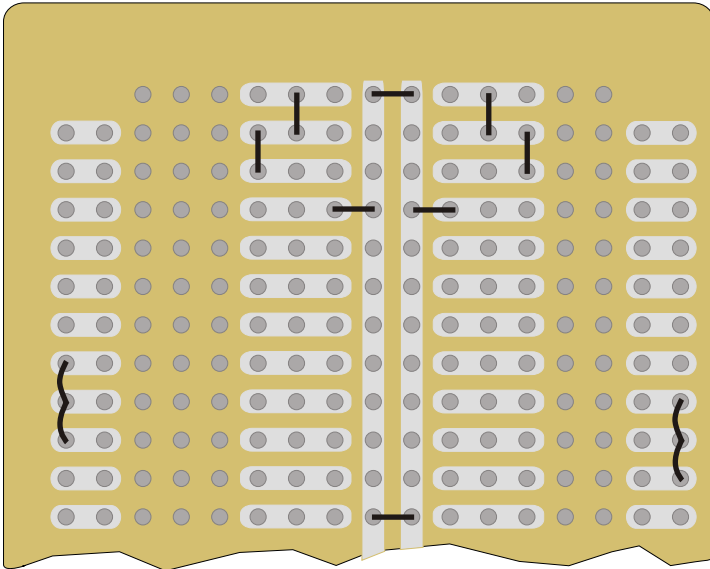


Mini-CMoy Pocket Amp Assembly Information

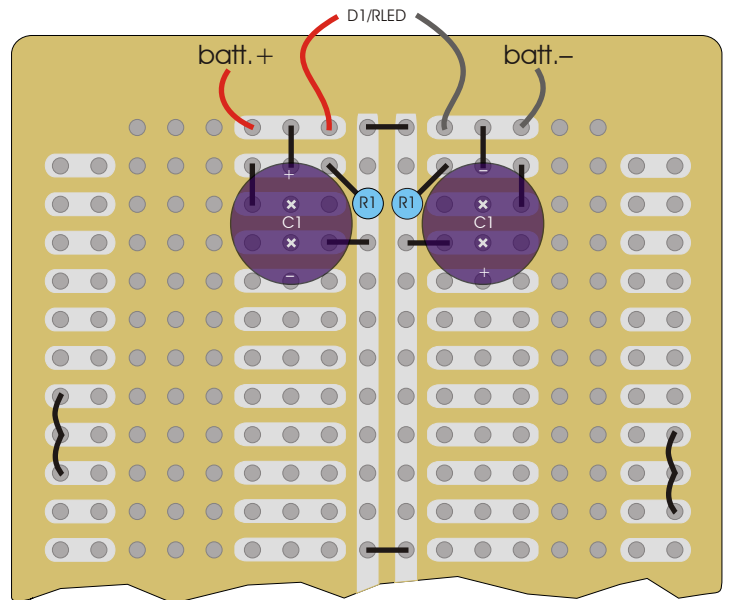
Detailed instructions online at <http://tangentsoft.net/audio/cmoy-tutorial/>

All drawings except last 2:1 scale

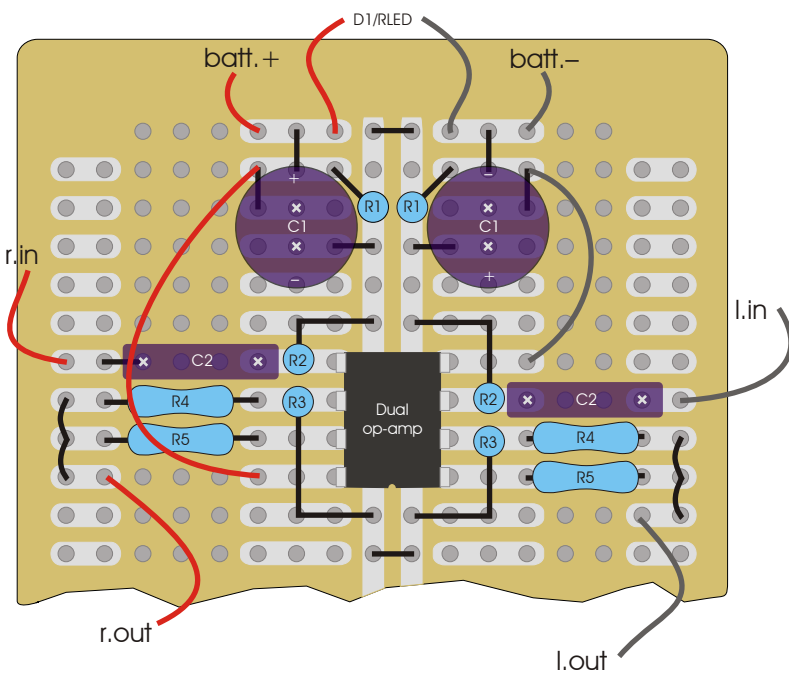
1. Halve protoboard; add jumpers:



2. Add power supply:



3. Add amplifier section:



4. Add panel components, enclose, and enjoy!

