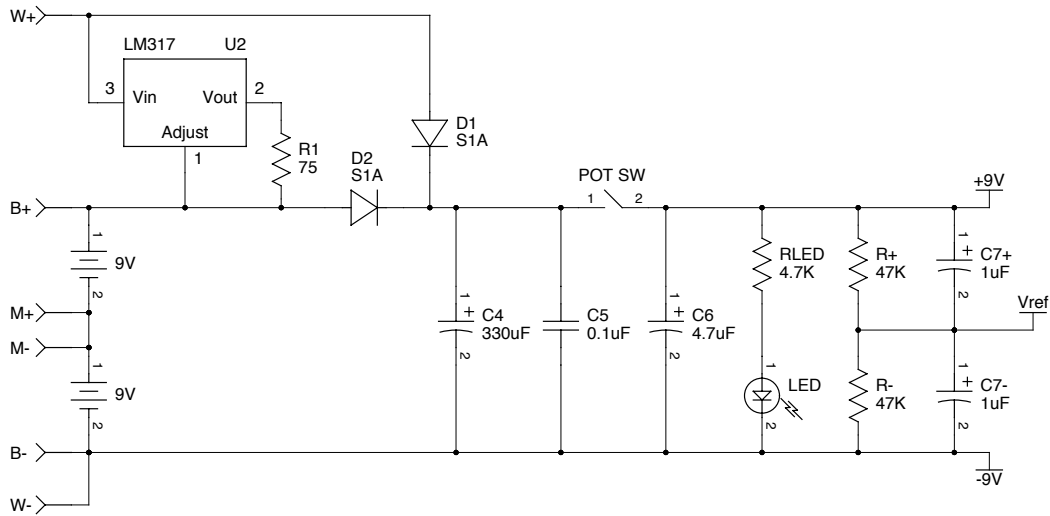
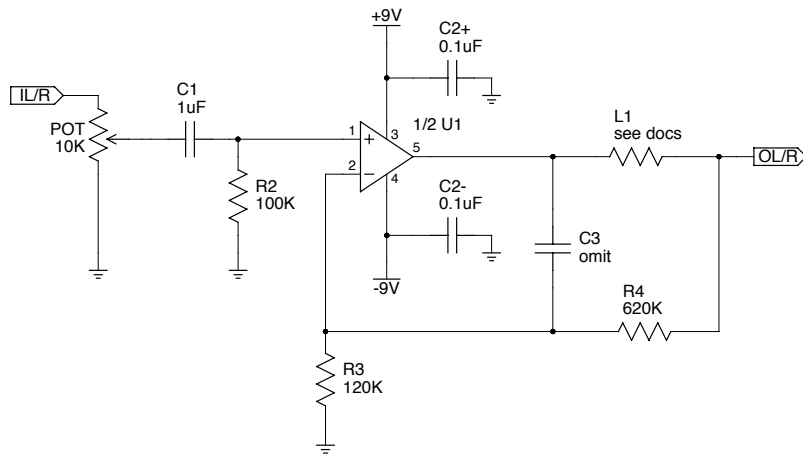


### POWER SUPPLY / TRICKLE CHARGER

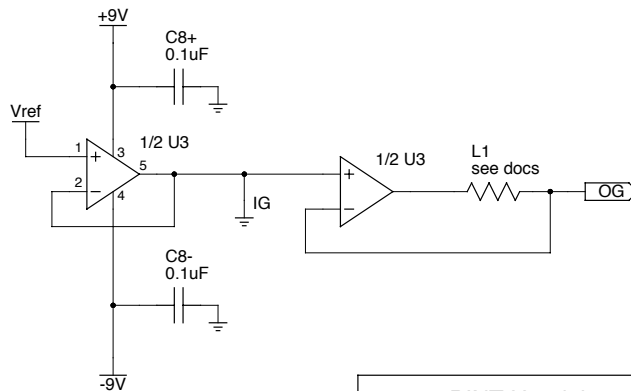


### LEFT/RIGHT CHANNEL



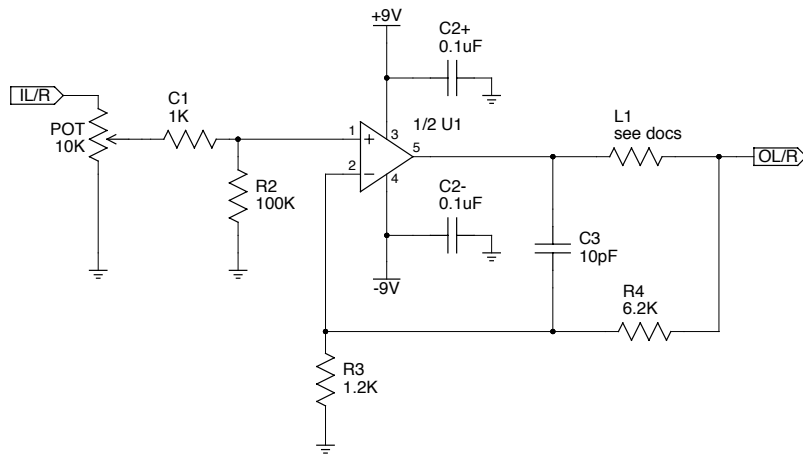
(ONLY ONE CHANNEL SHOWN; DUPLICATE EVERYTHING BUT C2s FOR SECOND CHANNEL)

### GROUND CHANNEL



TITLE	PINT Headphone Amplifier: Low-Offset Version <a href="http://tangentsoft.net/audio/pint/">http://tangentsoft.net/audio/pint/</a>		
DATE	\$Date: 2006-04-17 04:28:18 -0600 (Mon, 17 Apr 2006) \$		
PAGE	1	OF	2
	\$Revision: 4605 \$		FOR PCB: PINT v1.3

LEFT/RIGHT CHANNEL



(ONLY ONE CHANNEL SHOWN; DUPLICATE EVERYTHING BUT C2s FOR SECOND CHANNEL)

TITLE PINT Headphone Amplifier: Low-Noise Version  
<http://tangentsoft.net/audio/pint/>

DATE \$Date: 2006-04-17 04:28:18 -0600 (Mon, 17 Apr 2006) \$

PAGE 2 OF 2 \$Revision: 4605 \$ FOR PCB: PINT v1.3